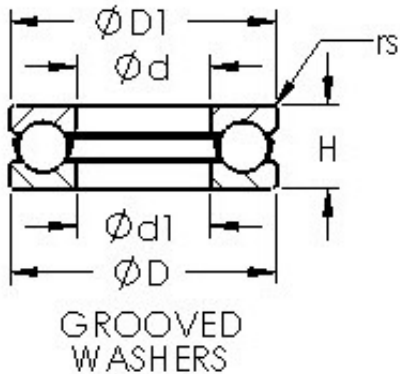




TRANSMISSIONS?BEARINGS EUROPE



AST 51225 thrust ball bearings

Bearing No. 51225

Bore Diameter	130 mm
Outer Diameter	190 mm
Bearing Type	with grooved raceway(s)
Bore Dia (d)	130.0000
Outer Dia (D)	190.0000
Radius (min) (rs)	1.500
Static Load Rating (Cor)	653,000
Dynamic Load Rating (Cr)	220,000
Max Speed (Grease) (X000 RPM)	1
Max Speed (Oil) (X000 RPM)	1
Height (H)	45.0000
Outer Dia. Pilot (D1)	187.0000
Bore Dia. Clearance (d1)	133.0000
Weight (g)	4,133.00
Material	52100 chrome steel, or equivalent.

51225 Bearing 2D drawings and 3D CAD models