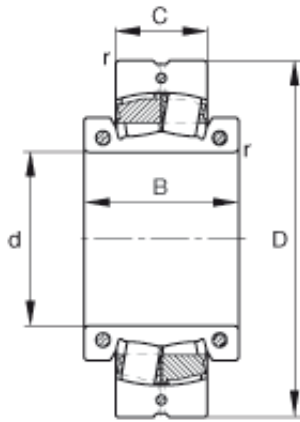




# TRANSMISSIONS?BEARINGS EUROPE



## FAG 230SM300-MA spherical roller bearings

Bearing No. 230SM300-MA

Size	300x480x121 mm
Bore Diameter	300 mm
Outer Diameter	480 mm
Width	121 mm
d	300 mm
D	480 mm
C	121 mm
B	186 mm
$r_{\min}$	4 mm
m	108 kg / Weight
$C_r$	1860000 N / Dynamic load rating (radial)
e	0,23
$Y_1$	2,9
$Y_2$	4,31
$C_{0r}$	3200000 N / Static load rating (radial)
$Y_0$	2,83
$n_G$	530 1/min / Limiting speed
$C_{ur}$	255000 N / Fatigue limit load, radial
$F_{a\max}$	32000 N / Permissible axial load, for inner ring without axial abutment
$M_i$	120 Nm / Tightening torque per clamping screw
$M_a$	69 Nm / Tightening torque per clamping screw

230SM300-MA Bearing 2D drawings and 3D CAD models



## TRANSMISSIONS?BEARINGS EUROPE

	23064K / Designation, spherical roller bearing, unsplit
	H3064HG / Adapter sleeve