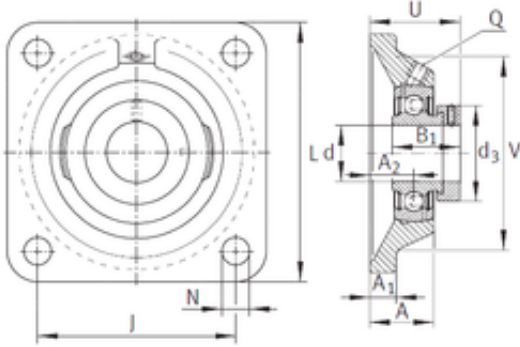




TRANSMISSIONS?BEARINGS EUROPE

INA PCJ1-1/4-206 bearing units



Bearing No. PCJ1-1/4-206

| | |
|---------------|------------|
| Bore Diameter | 31.75 mm |
| d | 31.75 mm |
| V | 94,005 mm |
| U | 46,812 mm |
| Thread (Q) | 1/8 NPT |
| d3 | 51,003 mm |
| A | 32,004 mm |
| A1 | 13,005 mm |
| B | 35,789 mm |
| J | 82,499 mm |
| L | 108,509 mm |
| N | 11,506 mm |
| A2 | 19,99 mm |

PCJ1-1/4-206 Bearing 2D drawings and 3D CAD models