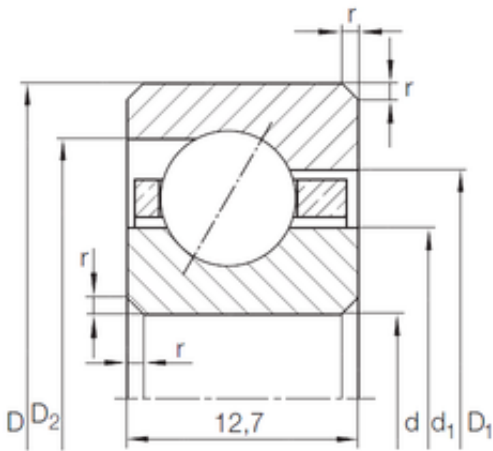




TRANSMISSIONS?BEARINGS EUROPE

INA CSED 1603) angular contact ball bearings



Bearing No. CSED 1603)

Size	406.4x431.8x12.7 mm
Bore Diameter	406,4 mm
Outer Diameter	431,8 mm
Width	12,7 mm
d	406,4 mm
D	431,8 mm
B	12,7 mm
C	12,7 mm
d1	415,8 mm
r min.	1,5 mm
D1	422,4 mm
D2	424,6 mm
Weight	1,33 Kg
Basic dynamic load rating (C)	21 kN
Basic static load rating (C0)	53 kN

CSED 1603) Bearing 2D drawings and 3D CAD models