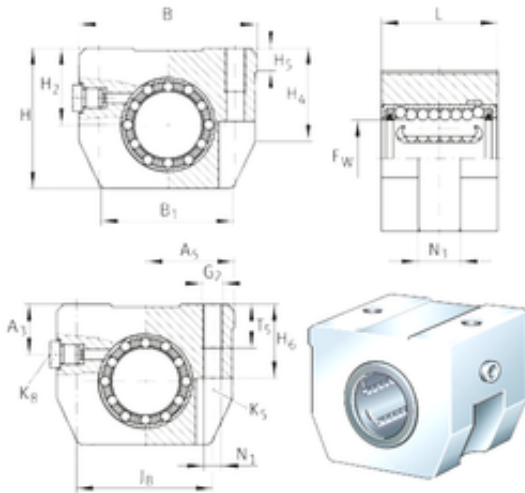




TRANSMISSIONS?BEARINGS EUROPE



INA KGHK40-B-PP-AS bearing units

Bearing No. KGHK40-B-PP-AS

Bore Diameter	40 mm
Fw	40 mm
H4	49,7 mm
H5	12,8 mm
H6	38 mm
A5	43,5 mm
B	87 mm
B1	63 mm
H	73,5 mm
H2	39 mm
L	60,2 mm
N1	8,4 mm
A3	23 mm
N2	18 mm
Thread (G2)	M10
JB	69 mm
T5	22 mm
Thread (K5)	M8
Weight	0,75 Kg
Basic dynamic load rating (C)	5,3 kN

KGHK40-B-PP-AS Bearing 2D drawings and 3D CAD models