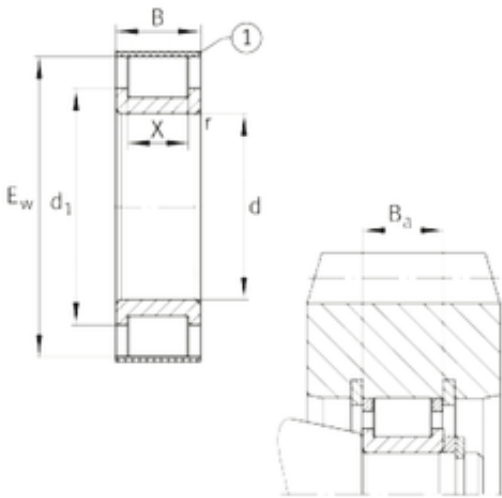




TRANSMISSIONS? BEARINGS EUROPE



INA RSL182309-A cylindrical roller bearings

Bearing No. RSL182309-A

Size	45x88.322x36 mm
Bore Diameter	45 mm
Outer Diameter	88,322 mm
Width	36 mm
d	45 mm
Ew	88,322 mm
B	36 mm
Ba	32,6 mm
X	24 mm
d1	61,5 mm
r min.	1,5 mm
Weight	0,84 Kg
Basic dynamic load rating (C)	162 kN

RSL182309-A Bearing 2D drawings and 3D CAD models