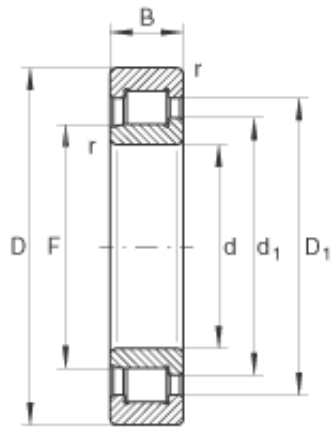




TRANSMISSIONS?BEARINGS EUROPE



INA SL192319-TB cylindrical roller bearings

Bearing No. SL192319-TB

SL192319-TB Bearing 2D drawings and 3D CAD models

Size	95x200x67 mm
Bore Diameter	95 mm
Outer Diameter	200 mm
Width	67 mm
d	95 mm
D	200 mm
B	67 mm
D ₁	161,9 mm
d ₁	126,6 mm
F	114,65 mm
r _{min}	3 mm
s	4 mm / Axial displacement
m	10,2 kg / Weight
C _r	650000 N / Dynamic load rating (radial)
C _{0r}	710000 N / Static load rating (radial)
C _{ur}	124000 N / Fatigue limit load, radial
n _G	2240 1/min / Limiting speed
Category	Bearings
Inventory	0.0
Manufacturer Name	SCHAEFFLER GROUP
Minimum Buy Quantity	N/A
Weight / Kilogram	10.2
Product Group	B04144