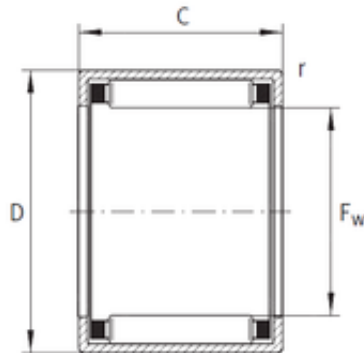




# TRANSMISSIONS?BEARINGS EUROPE

## INA SCE2620 needle roller bearings



SCE2620 Bearing 2D drawings and 3D CAD models

Bearing No. SCE2620

Size	41.275x50.8x31.75 mm
Bore Diameter	41,275 mm
Outer Diameter	50,8 mm
Width	31,75 mm
Fw	41,275 mm
D	50,8 mm
C	31,75 mm
Weight	0,11 Kg
Basic dynamic load rating (C)	51 kN
Basic static load rating (C0)	97 kN
Category	Needle Non Thrust Roller Bearings
Inventory	0.0
Manufacturer Name	SCHAEFFLER GROUP
Minimum Buy Quantity	N/A
Weight / Kilogram	0.11
EAN	4054364024017
Product Group	B04144
Rolling Element	Needle Roller Bearing
Component	Roller Assembly with Outer Ring - No Inner Ring
Enclosure	Open
Self Aligning	No
Retainer	Yes
Number of Rows of Rollers	Single Row
Separable	No



## TRANSMISSIONS?BEARINGS EUROPE

Closed End	No
Inch - Metric	Inch
Relubricatable	No
Thrust Bearing	No
Long Description	1-5/8" Bore; 2" Outside Diameter; 1-1/4" Width; Needle Roller Bearing; Roller Assembly with Outer Ring - No Inner Ring; Open Enclosure; No Self Aligning; Yes Retainer; Single Row of Rol
Other Features	2 Rib Outer Ring   Drawn Cup Bearing   Steel Cage
Category	Needle Non Thrust Roller Bearing
UNSPSC	31171512
Harmonized Tariff Code	8482.40.00.00
Noun	Bearing
Keyword String	Needle
Manufacturer URL	<a href="http://www.ina.com">http://www.ina.com</a>
Manufacturer Item Number	SCE2620
Weight / LBS	0.243
Width	1.25 Inch   31.75 Millimeter
Outside Diameter	2 Inch   50.8 Millimeter
Bore	1.625 Inch   41.275 Millimeter