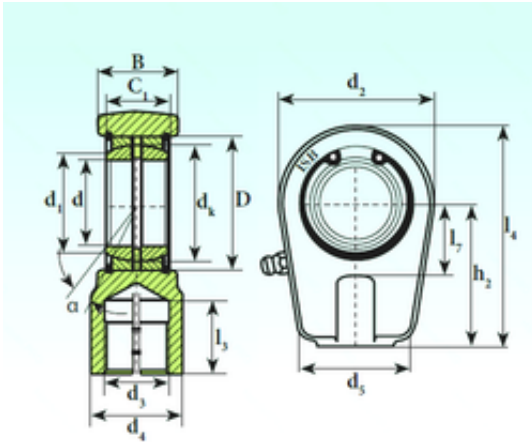




TRANSMISSIONS?BEARINGS EUROPE



ISB TAPR 430 N plain bearings

Bearing No. TAPR 430 N

Bore Diameter	30 mm
d	30 mm
B	28 mm
d1	34,2 mm
d2	64 mm
d4	32 mm
dk	40,7 mm
h2	60 mm
l3 min.	23 mm
l4 max.	94 mm
l7 min.	30 mm
C1	22 mm
D	47 mm
Thread (G)	M22x1,5
Angle	6 °
d5	50 r/min
Weight	0,76 Kg
Basic dynamic load rating (C)	62 kN

TAPR 430 N Bearing 2D drawings and 3D CAD models