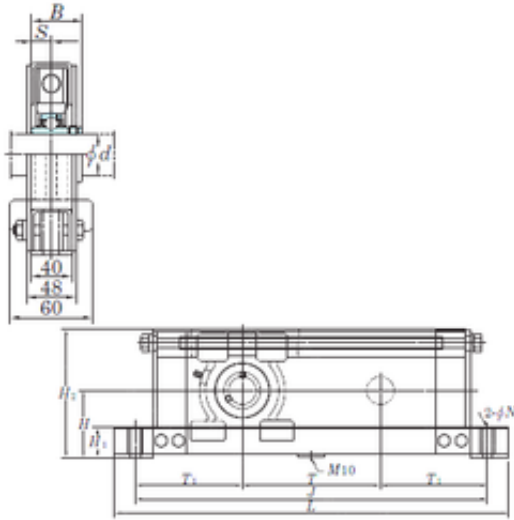




TRANSMISSIONS?BEARINGS EUROPE



KOYO UCTL205-200 bearing units

Bearing No. UCTL205-200

Bore Diameter	25 mm
Width	34,1 mm
d	25 mm
T1	140 mm
B	34,1 mm
H	82 mm
H1	44 mm
H2	156 mm
J	480 mm
L	540 mm
N	15 mm
S	14,3 mm
T	200 mm
Bolt (G)	M12
Weight	7,5 Kg
Basic dynamic load rating (C)	14 kN
Basic static load rating (C0)	7,85 kN

UCTL205-200 Bearing 2D drawings and 3D CAD models