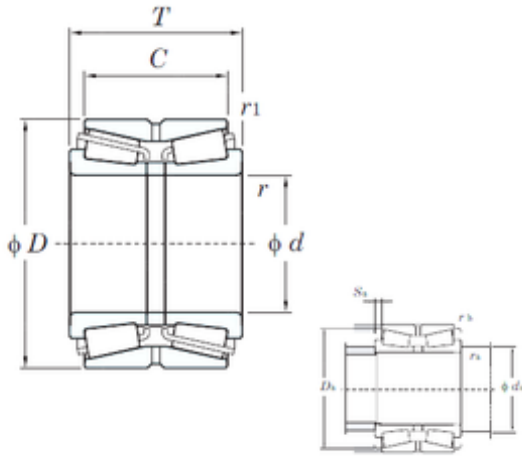




TRANSMISSIONS?BEARINGS EUROPE



KOYO 46218A tapered roller bearings

Bearing No. 46218A

Size	90x140x46 mm
Bore Diameter	90 mm
Outer Diameter	140 mm
Width	46 mm
d	90 mm
D	140 mm
T	46 mm
C	37 mm
r min.	2 mm
r1 min.	0,6 mm
da min.	100 mm
Da min	129,9 mm
ra max.	2 mm
rb max.	0,6 mm
Weight	2,37 Kg
Basic dynamic load rating (C)	157 kN
Basic static load rating (C0)	266 kN
(Grease) Lubrication Speed	2000 r/min
(Oil) Lubrication Speed	2700 r/min
Calculation factor (e)	0,32
Calculation factor (Y0)	2,07
Bearing No.	46218A
r(min)	2
r1(min)	0.6
Cr	196
C0r	266

46218A Bearing 2D drawings and 3D CAD models



TRANSMISSIONS?BEARINGS EUROPE

Cu	19.6
Grease lub.	2000
Oil lub.	2700
da(min)	100
Da(min)	136.5
Sa(min)	4.5
ra(max)	2
rb(max)	0.6
e	0.32
Y2	2.12
Y3	3.15
Y0	2.07
(Refer.)Mass(kg)	2.37