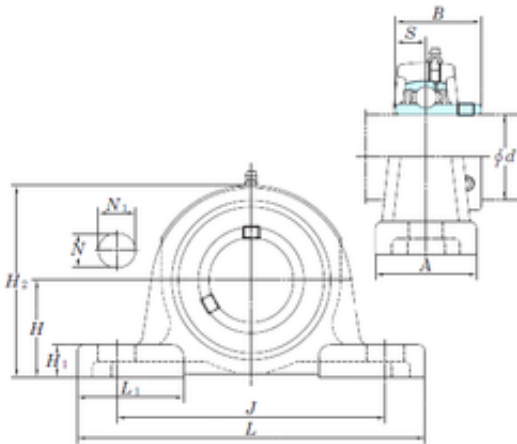




TRANSMISSIONS?BEARINGS EUROPE

KOYO UCPX20-64 bearing units

Bearing No. UCPX20-64



UCPX20-64 Bearing 2D drawings and 3D CAD models

Bore Diameter	101,6 mm
Width	117,5 mm
d	101,6 mm
A	121 mm
B	117,5 mm
H	127 mm
H1	45 mm
H2	245 mm
J	337 mm
L	432 mm
L1	126 mm
N	33 mm
N1	65 mm
S	49,2 mm
Bolt (G)	M27
Weight	30,4 Kg
Basic dynamic load rating (C)	133 kN
Basic static load rating (C0)	105 kN