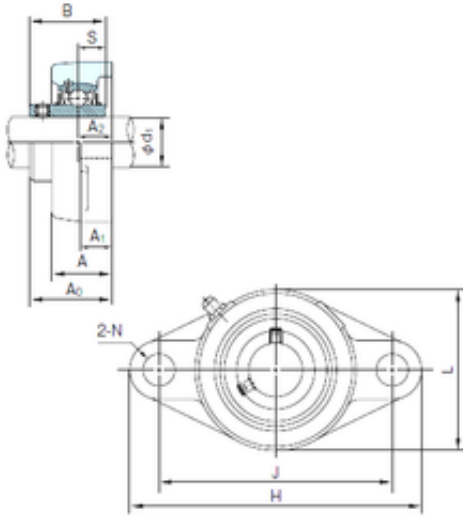




TRANSMISSIONS?BEARINGS EUROPE



NACHI UCFL210 bearing units

Bearing No. UCFL210

Bore Diameter	50 mm
d1	50 mm
A0	54.6 mm
A	40 mm
A1	18 mm
B	51.6 mm
H	197 mm
J	157 mm
L	115 mm
L1	120 mm
N	19 mm
S	19 mm
Bolt (G)	M16
A2	22 mm
Category	Bearings
Inventory	0.0
Manufacturer Name	NACHI
Minimum Buy Quantity	N/A
Weight / Kilogram	0
Product Group	M06110

UCFL210 Bearing 2D drawings and 3D CAD models