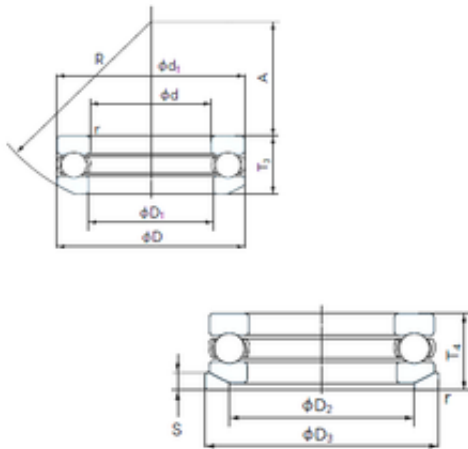




TRANSMISSIONS?BEARINGS EUROPE

NACHI 53417U thrust ball bearings

Bearing No. 53417U



53417U Bearing 2D drawings and 3D CAD models

Size	85x180x83 mm
Bore Diameter	85 mm
Outer Diameter	180 mm
Width	83 mm
d	85 mm
D	180 mm
T	83 mm
d1	177 mm
r min.	2.1 mm
A	47 mm
D1	88 mm
D2	130 mm
D3	185 mm
R	140 mm
S	23 mm
Weight	10.9 Kg
Basic dynamic load rating (C)	288 kN
Basic static load rating (C0)	685 kN
(Grease) Lubrication Speed	850 r/min