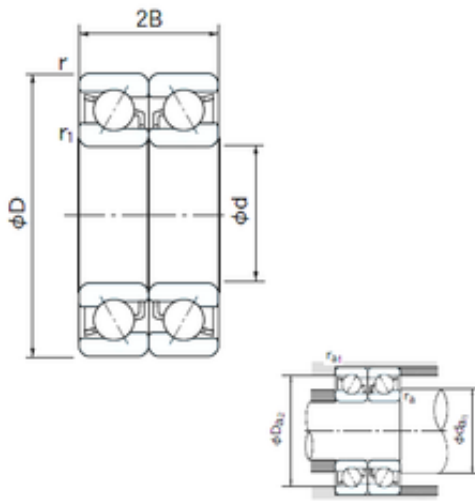




TRANSMISSIONS?BEARINGS EUROPE



7300DB Bearing 2D drawings and 3D CAD models

NACHI 7300DB angular contact ball bearings

Bearing No. 7300DB

Size	10x35x11 mm
Bore Diameter	10 mm
Outer Diameter	35 mm
Width	11 mm
d	10 mm
D	35 mm
B	11 mm
C	11 mm
Angle (°)	30 °
a	1.0 mm
r min.	0.6 mm
r1 min.	0.3 mm
2B	22 mm
da min.	12 mm
Da max.	32.4 mm
ra max.	0.3 mm
Weight	0.055 Kg
Basic dynamic load rating (C)	15,1 kN
Basic static load rating (C0)	8,6 kN
(Grease) Lubrication Speed	16000 r/min
Bore Type	Cylindrical Bore
Enclosure	Open
Configuration	Duplex
Bore Size	10 mm
Outside Diameter	35 mm
Width	11 mm



TRANSMISSIONS?BEARINGS EUROPE

Fillet Radius/Chamfer	0.6 mm
r1	0.3 mm
Dynamic Load Rating	15,100 N
Static Load Rating	8,600 N
Limiting Speed - Grease	16,000 rpm
Limiting Speed - Oil	21,000 rpm
da1 (min)	15 mm
da2 (min)	12 mm
Da1 (max)	30 mm
Da2 (max)	32.4 mm
ra (max)	0.6 mm
ra1 (max)	0.3 mm